



Properties

- Ø18 mm housing
- 5 mm flush mountable and 8 mm non-flush mountable versions
- DC, NAMUR interface
- Cable version

Your Benefit

- ATEX approved sensor applicable up to zone 0 and zone 20
- Usable up to SIL2 acc. to IEC 61508

Technical Data

For detailed data and product description refer to the data sheets at www.pepperl-fuchs.com

General Data

Switching element function	NAMUR, NC
Nominal voltage	8.2 V (R _i approx. 1 kΩ)
Current consumption	
Measuring plate not detected	≥ 3 mA
Measuring plate detected	≤ 1 mA
Ambient temperature	-25 ... 100 °C (-13 ... 212 °F)
Connection type	cable PVC , 2 m



Model Number

		NJ5-18GK-N	NJ8-18GK-N	NCB5-18GK40-NO	NCN8-18GK40-NO
Rated operating distance	5 mm	●		●	
	8 mm		●		●
Installation	flush	●		●	
	non-flush		●		●
Switching frequency	0 ... 200 Hz		●		
	0 ... 300 Hz				●
	0 ... 400 Hz			●	
	0 ... 500 Hz	●			
Indication of the switching state	all direction LED, yellow			●	●
Housing material	PBT			●	●
	PBT/PPS	●	●		
Protection degree	IP66 / IP68	●			
	IP67			●	●
	IP68		●		

Use in the Hazardous Area

Use in the hazardous area	see instruction manuals	●	●	●	●
Category	2G; 1D	●	●	●	●

Approvals and Certificates

Control drawing	116-0165F	●	●	●	●
UL approval	cULus Listed, General Purpose	●	●	●	●
CSA approval	cCSAus Listed, General Purpose	●	●	●	●
CCC approval	Products with a maximum operating voltage of ≤36 V do not bear a CCC marking because they do not require approval.				

Dimensions

Length L [mm]		39	40
Diameter D [mm]			18
Thread length l _t [mm]		34.5	37
Cap length l ₁ [mm]		1	0
Connector area l _c [mm]			0
LED position		-	Pos. C

Accessories

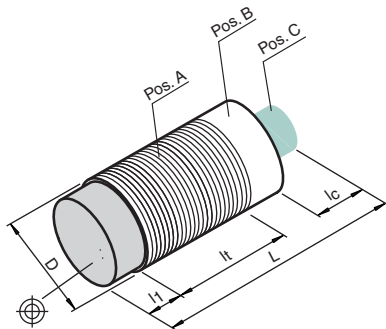
This and more accessories can be found in chapter 10

See pages from 972 ... for cordsets

See pages 1068 ... for mounting aids

BF 18

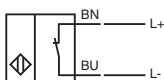
Mounting flange, 18 mm



Electrical Connection



- NCB5-18GK40-NO
- NJ5-18GK-N
- NCN8-18GK40-NO
- NJ8-18GK-N



Date of issue 04/08/2015

Refer to "General Notes Relating to Pepperl+Fuchs Product Information".

Pepperl+Fuchs Group
www.pepperl-fuchs.com

USA: +1 330 486 0001
fa-info@us.pepperl-fuchs.com

Germany: +49 621 776 4411
fa-info@de.pepperl-fuchs.com

Singapore: +65 6779 9091
fa-info@sg.pepperl-fuchs.com

Courtesy of Steven Engineering, Inc - (800) 258-9200 - sales@steveng.com - www.stevengengineering.com